

Model: BDUSC-060

# Universal Treestand Full Enclosure

Treestand Accessory



## WARNING

- When hunting from any treestand, falls can occur at any time which can cause serious injury or death. DO NOT use this product without a Full Body Harness (Fall Arrest System) that meets current TMA standards. NEVER be detached from the tree for any reason or at any time. Read, Understand and Follow ALL instructions and warnings prior to each use.
- Do not return this product to the retailer. Call BIG DOG TREESTANDS for replacement of any damaged or missing metal parts.

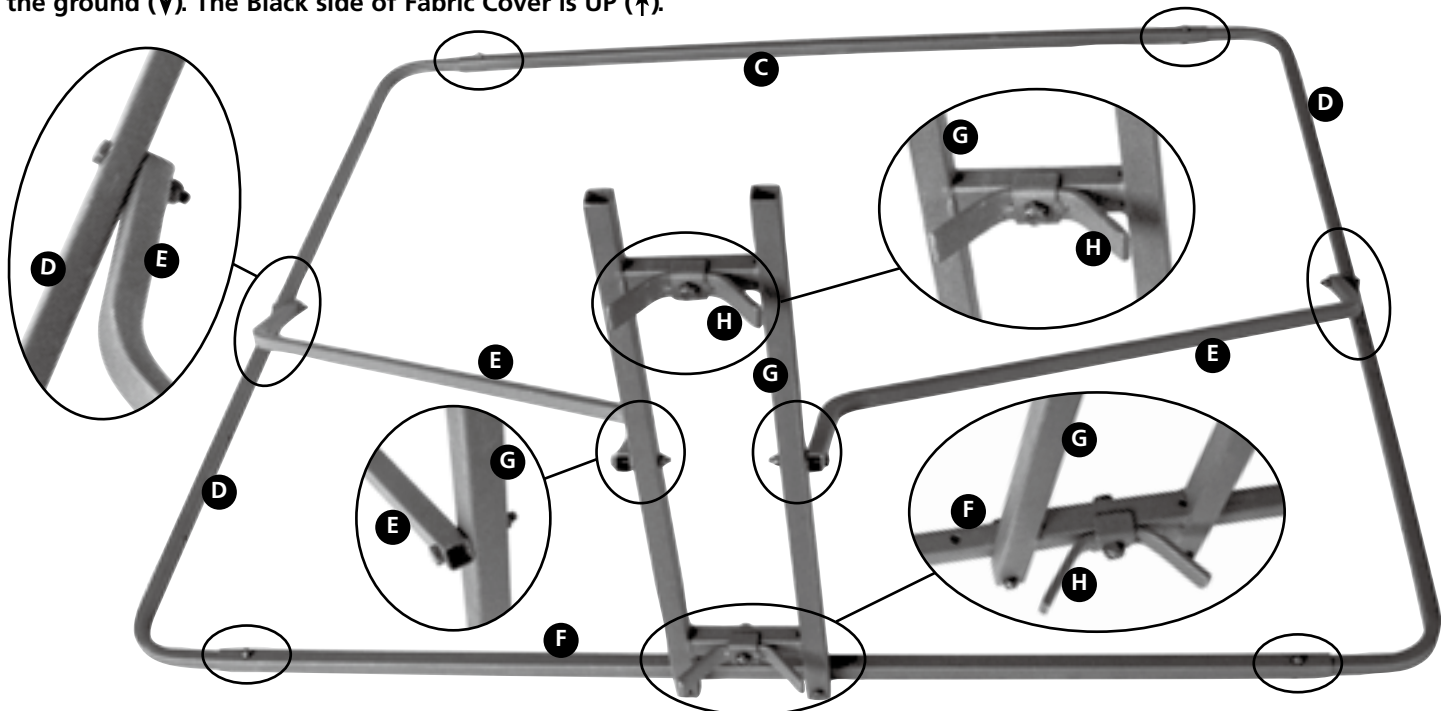


## PACKING LIST:

<b>A</b>	1	Roof Fabric	Part # USC-060
<b>B</b>	1	Side Fabric	Part # FC-060
<b>C</b>	1	Front Bar	Part # FB-050
<b>D</b>	2	Side Frame	Part # LT-060
<b>E</b>	2	Support Brace	Part # SB-061
<b>F</b>	1	Back Bar	Part # BB-060
<b>G</b>	1	Support Frame	Part # HF-060
<b>H</b>	2	Tree Connection Brace	Part # TB-100
<b>I</b>	6	Fiber Poles	Part # UFP-050
<b>J</b>	2	Looped Stabilizing Strap	Part # BSS-225
	2	8mm x 1 - 3/8" Bolt	Part # 1512
	4	6mm x 1 - 3/4" Bolt	Part # 1014
	2	6mm x 1 - 5/8" Bolt	Part # 1013
	4	6mm x 1" Bolt	Part # 1010
	2	8mm Locknut	Part # 2510
	10	6mm Locknut	Part # 2010

Note: The Roof Fabric **A** or Side Fabric **B** is NOT warranted. Call Big Dog Treestands for purchase of replacements.

The camo side of the Roof Fabric **A** must face TOWARD the ground (↓). The Black side of Fabric Cover is UP (↑).



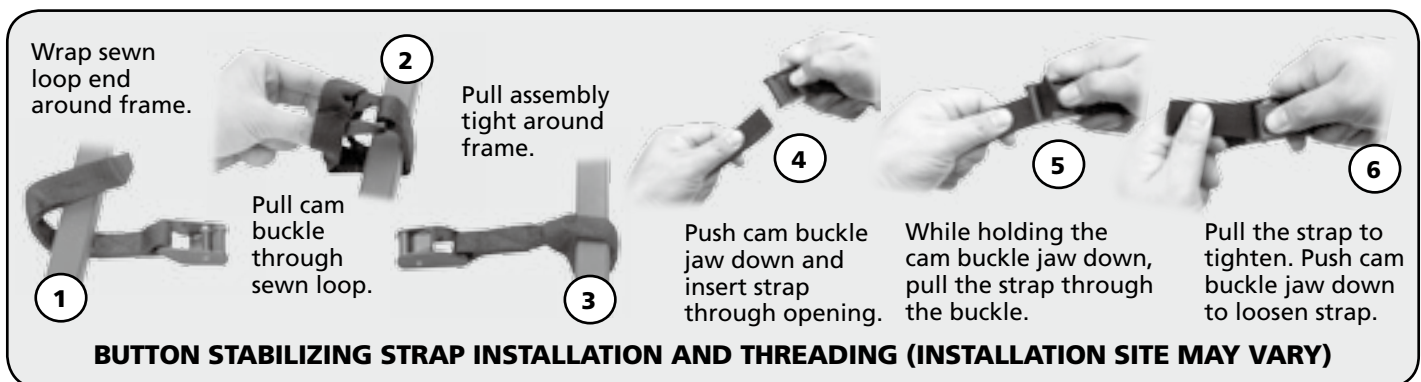
Thank you for purchasing Treestand Full Enclosure. This instruction will tell you how to assemble & use the product. Every year hunters are seriously injured in tree stand accidents. Please carefully read and follow these instructions. For missing or damaged parts, please visit our web site or call customer service for fast service at 1-866-387-2002.

## ASSEMBLY INSTRUCTIONS

1. Bolt the Back Bar **F** to the Support Frame **G** using (2) 6mm x 1-3/4" bolts and locknuts. Note: The Support Frame should be to the **OUTSIDE** of roof area or **BACK** side of the Back Bar. Next, attach the (2) Tree Connection Brace(s) **H** to the short welded tubes on the Support Frame **G** on **BACK** side of Back Bar **F** and secure each using (1) 8mm x 1-3/8" bolt and locknut.
2. Insert the Side Frame **D** INTO the Back Bar **F**, align the holes in both and secure together using (1) 6mm x 1" bolt and locknut. Next, insert the Front Tube **C** over the Side Frame **D** and align holes and secure with (1) 6mm x 1" bolt and locknut. Insert the opposite Side Frame **D** INTO the Back Bar **F** and Front Tube **C** and align the holes at each end and secure using (1) 6mm x 1" bolt and locknut at each end. Note: Insure ALL locknuts are to the opposite side of the Roof Fabric side. Wrap ALL bolts/locknuts with tape to prevent wear on the Roof Fabric/Side Fabric.
3. Attach the Support Brace(s) **E** to the **INSIDE** of each Side in the Side Frame **D** and secure using (1) 6mm x 1-5/8" bolt and locknut and attach the opposite end of the Support Brace to the **OUTSIDE** of the Support Frame **G** and secure using (1) 6mm x 1-3/4" bolt and locknut on each side. NOTE: Insure the locknuts are to the **INSIDE** of the Side Frames.
4. Install the Roof Fabric **A** onto the assembled frame assembly. Insure the Roof Fabric is oriented correctly with the sewn pockets for the Fiber Poles running from Left to Right. Next, starting at one end, insert the Fiber Poles through the sewn pockets across the Roof Fabric. [Note: Clean the paint out of the holes in the Side Frame(s) to aide in inserting of the Fiber Pole(s)] Insert one end of the Fiber Pole into the hole on the Side Frame, carefully flex the pole and insert the opposite end of the Fiber Pole into the opposite Side Frame hole. Repeat on remaining Fiber Poles.
5. Side Fabric **B** : The Side Fabric ties off to the Roof Frame and behind the tree. To install, locate the center window and work your way around securing the side fabric to the roof frame. Go back through and check all bolts to insure all are securely tightened.

## INSTRUCTIONS FOR USE

1. This unit can be used on a treestand or on the ground. In both cases, this unit will need to be installed to a tree.
2. Determine the location of the Roof Assembly in relation to the treestand platform or ground by the length of the side panels in the Side Fabric. Next, secure the top location strap (at upper Tree Connection Brace) around the tree and secure firmly against the tree. See Strap Instructions for attaching and securing the straps. Next, secure the bottom strap to the tree (on second Tree Connection location).
3. Drape the side panels to the outside of the platform area of the treestand. Tie off both sides of the side panels behind the tree(if applicable). Note: Insure to have the door and window openings un-zipped during attaching to tree for visibility.
4. With the door opening facing toward the ladder sections and the windows open, move the roof assembly up or down until window opening is at the desired height. Secure the (2) button straps to the tree securely. See figure below for tightening of straps. **USE OF A TMA APPROVED (FAS) IS REQUIRED AT ALL TIMES DURING SET-UP/REMOVAL/AND USE OF THIS PRODUCT.**



## STORAGE AND CARE

- It is recommended that you store your treestand out of direct sunlight and out of any other harsh environmental condition(s) that may adversely affect its performance.

## SAFETY WARNINGS

Please take the time to read and understand each point stated below. The information contained can save your life!!

- **WARNING!** Read/Understand/Follow ALL instructions and warnings thoroughly before using your Fall Arrest System (FAS) (that meets TMA standards), Tree Stand, cinch belt/ratchet/stabilizing straps or ropes, and climbing devices prior to EACH use. Replace any suspected or damaged components with only factory authorized parts/components. Discontinue use if any part of your FAS or tree stand shows any type of weathering, damage, or wear.
- **WARNING!** Failure to use a Fall Arrest System (FAS) that meets TMA standards at ALL times can result in serious injury or death.

Please inspect the shipping carton for evidence of damage or that it may have been opened before you received it. Then inspect your product carefully. Compare it to the image on the product label and the picture illustration in your instructions. You must check and tighten all bolts before each use. If for any reason you are not satisfied with the product, do not use it until the problem is solved or corrected.

## **SAFETY WARNINGS**

- **WARNING!** ALWAYS inspect/check ALL expiration dates/tags on ALL straps/FAS prior to each use. Failure to follow harness instructions could result in not being able to return to the stand and being suspended in a harness after a fall.
- **WARNING!** It is IMPORTANT to practice proper and safe use of your Fall Arrest System (FAS) and Tree Stand at GROUND LEVEL prior to each use and BEFORE using in an elevated position. Note: The Fall Arrest System (FAS) is an integral part of any Tree Stand and must be worn and attached to the tree at ALL times. If the FAS is not present, hunt from the ground.
- **WARNING!** Always insure that your Fall arrest System (FAS), Tree Stand, ALL straps/ropes and climbing devices are ALL in good working order without defects, wear, broken or missing parts prior to each use. This inspection includes the following prior to each use: Re-Tightening of all hardware, inspection of ALL parts/components of the tree stand and the Fall Arrest System (FAS).
- **WARNING!** Always wear a Fall Arrest System (FAS) (that meets TMA standards) properly attached to the tree from the time you leave the ground until you return safely to the ground. Please see Fall Arrest System Instructions for proper and safe use of the Fall Arrest System (FAS).
- **WARNING!** Always practice your Recovery-Rescue-Relief (RRR) plan with your FAS at ground level prior to each use. Insure the (RRR) plan has been practiced/reviewed prior to hunting in an elevated position. If no plan is in place, hunt from the ground!
- **WARNING!** ALWAYS step down into the center of the platform on your fixed position stand from your climbing aide. Note: Your climbing aide should be at least 24" above the foot platform of your fixed position stand so you can safely step down into the center of the platform area. Insure to be attached to tree with your tether strap of your FAS or lineman's strap. NEVER be disconnected from the tree at ANY time while in an elevated position. Practice at ground level with your tree stand and FAS getting into the tree stand and onto the climbing aide while being attached to the tree with your FAS at ALL times.
- **WARNING!** Always store your FAS, tree stand, all straps and ropes, complete set of instructions and warnings, and all climbing devices in a cool, dry location away from sun light, elements of weather, sharp objects, or any type of wildlife. Note: Wildlife can chew on the straps and seats while the stand is not in use which can cause serious damage to the tree stand. ALWAYS check all straps and seats prior to each use.
- **WARNING!** Hunt with a friend or a partner to insure someone knows your hunting location as well as the time you will return from the field. Always keep a cell phone or walkie-talkie on your person at all times.
- **WARNING!** Always use (3) or more able adults when setting up or removing any tree stand unless instructed to have more able adults available to assist. The use of a min. 12" diameter tree is required on ALL tree stands.
- **WARNING!** The use of a hoist line to pull up or down your fixed position stand to the desired height while using the lineman's strap of your FAS is required. Note: Use of a screw-in hook or some type of hanger to hold the fixed position stand so you can have your hands free to secure the tree stand straps is required.
- **WARNING!** Understand/Follow the intended use of the tree stand/FAS and adhere to ALL instructions and warnings which pertain to the safe and proper use of any Big Dog Treestands products.
- **WARNING!** Have a cell phone, walkie-talkie, two-way radio, GPS locator, or whistle on your person at all times for emergency purposes.
- **WARNING!** There is a time to make a correct decision on what action to take in the event a fall would occur while wearing a fall arrest system. It is important to remember "DO NOT PANIC". Remain calm and implement your practiced/reviewed Recovery-Rescue-Relief (RRR) plan.
- **WARNING!** It is required to use a Fall Arrest System (FAS) with a Suspension Relief Device (SRD). The (SRD) is to allow relief of a person's weight on the lower extremities if suspended in a harness, or allow the user to descend to the ground. These devices help maintain circulation in the legs and prevent suspension trauma (blood pooling).
- **WARNING!** It is REQUIRED that you oil and lubricate or apply a protective sealant to ALL hardware/components prior to each use or as needed to prevent corrosion. Keep all lubricants and sealants free and clear of all straps or ropes.
- **WARNING!** You must replace ALL straps/ropes and suspension style seats each year prior to use. Use of Big Dog Treestands replacement straps and parts is required. Any other type of straps or parts will be viewed as a modification to the product. Any modification will void the warranties and relieve Big Dog Treestands Inc. from all liabilities.
- **WARNING!** Always inspect the tree the tree stand is used in/tree stand/straps/cables/FAS/ladder sections are pinned together/ground beneath the ladder stand or tripod or quad pod is firm and level/adjustable support bar is properly attached and secured to the tree- prior to each use. Do not use if any visible or physical damage or wear is present.
- **WARNING!** It is recommended to replace all hardware, cables on your tree stand every (2) years or sooner if inspection finds it necessary. Replace all straps and ropes annually.
- **WARNING!** Insure all contact points of the tree stand, climbing aide, and FAS are in contact with the tree at all times and are secured properly before leaving the ground.
- **WARNING!** Proper threading, tightening, fastening, and location of all straps and cables is CRITICAL. Insure all straps and cables are properly attached and secured on the tree stand and to the tree and are free of any damage or wear prior to each use.
- **WARNING!** Insure all tripods and quad pods are properly staked into the ground to prevent movement in the unit during high winds, Always leave all windows open when not in use. Note: It is advisable to have a certified electrician ground these units to the ground in the event of being struck by lightning.

## **SAFETY WARNINGS**

- **WARNING!** Inspect ALL expiration tags (or date codes) on all straps and FAS prior to each use. Never use any strap or FAS that is expired or showing any visible sign of damage or wear.
- **WARNING!** When using any ladder stand, attach your FAS to the tree upon arrival to the foot platform area. Never stand, lean, or kneel on the seat platform while securing the ladder stand to or from the tree. The seat platform is for sitting only!
- **WARNING!** Remove the Fall Arrest System from service after (2) years from the date on the tag if a fall has occurred, FAS has subtenancy a load, or if daily inspection finds it necessary to replace. ALL cinch belts, ratchet straps and button stabilizing straps must be replaced every year.
- **NEVER** leave the ground without being properly attached to the tree with your FAS at all times until safely back to the ground. Failure to wear your FAS or if the FAS is not properly attached at all times can result in serious injury or death. Single safety belts or chest harness **ARE NO LONGER ALLOWED AND SHOULD NEVER BE USED.**
- **NEVER** climb with your weapon. Insure that the firearm or bow is unloaded with the barrel pointed to the ground when raising or lowering to the ground with a haul line. A haul line is required to raise or lower any weapon to or from the tree stand.
- **NEVER** climb with anything on your back or waist. Always use a haul line to raise or lower your gear.
- **NEVER** exceed the manufacturer's total weight limit for the product which includes your body weight and all your gear.
- **NEVER** adjust any cables, straps, pins, ropes while standing on any treestand. ALL adjustments must be made at **GROUND LEVEL.**
- **NEVER (FOR ANY REASON)** climb ANY tree stand without the criss-cross straps/ropes and adjustable support bar properly attached and secured to the tree!!! Failure to have these attached can result in serious injury or death.
- **NEVER** use this product if under the influence of alcohol, mind alternating drugs, cold medicine, prescription medicine, flu medicine, have any type of heart condition, dizzy or feeling ill, have any dizzy spells, feel nauseous, no FAS present, or have had prior surgery or medical condition that could cause i.e, heart condition, joints that lock-up, spinal fusions, or if not well rested. **DO NOT** use ANY tree stand without consent from your medical doctor for safe and proper use of the tree stand or FAS if any of the above conditions exist.
- **NEVER** modify your tree stand in any way by repairs, replacing parts, or alternating or adding attachments to without explicit authorization in writing by the manufacturer.
- **NEVER** replace any parts, add attachments, make adjustments, make repairs unless the product is at **GROUND LEVEL** only.
- **NEVER** exceed the manufacturers suggested height limit.
- **NEVER** jump, bounce, lean out from, lean against the shooting rails or arm rests, or sleep in any tree stand for any reason or at any time.
- **NEVER** leave any tree stand attached to a tree for more than (2) weeks. Tree growth will stress the straps to the point of possible failure that can result in serious injury or death.
- **NEVER** use any tree stand during a thunderstorm, raining, sleet, snowing, or if any other adverse weather conditions exist that have the potential of producing high winds or lightning. Never use any tree stand if snow, ice, or water is present on the tree stand, ladder sections, climbing aide, or platform area. If any of these conditions exist or arise, end your hunt and hunt from the ground.
- **NEVER** use a tree stand for any purpose other than hunting. Do not use on utility poles or any other type of man made structure. Never use any type of tree stand near or by any type of power generating stations.
- **NEVER** use any tree branch for means of support or as a step. **NEVER** select a tree (to place a tree stand) that has visible signs of loose/smooth bark or in a tree that is diseased or dead. Select only straight/healthy trees to place any tree stand.
- **NEVER** loan or allow anyone to use your tree stand or FAS without reading the entire set instructions an warning of the product for safe use. If the tree stand/FAS is sold/loaned/or given away, it is the responsibility of the tree stand/FAS owner to give a **COMPLETE** set of instructions/warnings and safety DVD to the recipient of the unit.
- **NEVER** use any tree stand or FAS without fully understanding the safe use of the product. If you have any questions for safe and proper use of the unit or have a question about assembly, please call Big Dog Treestands for assistance 1-866-387-2002.
- **NEVER** leave seat cushions, blinds/skirts, enclosure fabrics exposed to the weather and direct sunlight. UV light will fade the fabric. Seat cushions, skirts, and enclosure fabrics are not warranted.
- **NEVER** use ANY tree stand without prior inspection of the entire unit at ground level or before stepping onto the foot platform. Inspection would include to check the following for damage/wear/weathering/or expired dates: straps, cables, ropes, FAS, pinned ladder sections, criss-cross straps are in place, adjustable support bar is securely fastened to the tree, ground beneath the ladder stand or tri/quad pod is firm and level, all hardware (nuts and bolts), inspection of the tree to insure it is healthy, and if any other part or components is showing any sign of damage or wear. If inspection finds any parts showing any sign of damage or wear, do not use and hunt from the ground. Please call Big Dog Treestands Inc. for replacement parts. Failure to replace components showing any sign of damage or wear can result in serious injury or death.