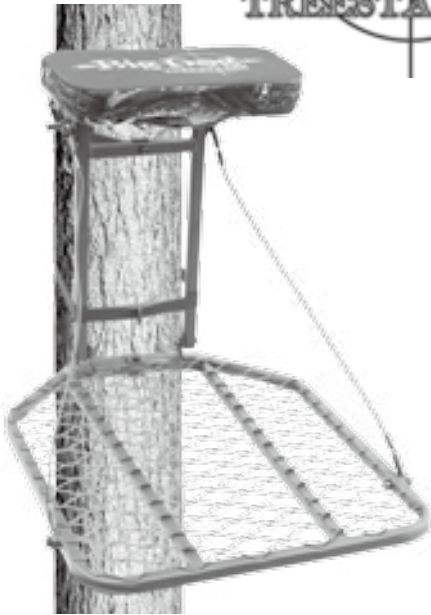


PLEASE READ THIS MANUAL IN ITS ENTIRETY PRIOR TO USING THIS PRODUCT!



BIG DOG TREESTANDS TOMCAT (Model BDF-076) INSTRUCTION MANUAL



BIG DOG TREESTANDS TOMCAT

Do not return this product to the retailer. Call Big Dog Treestands for replacement of any damaged parts, toll-free at 309-263-6800.

Inspect ALL product components for evidence of damage or wear sustained during shipping, handling, manufacturing of the product prior to assembly or use. If for any reason you are not satisfied with product or with any product component, DO NOT use until the problem has been resolved.

MEMBER OF



**TREESTAND
MANUFACTURERS
ASSOCIATION**

This Instruction Manual meets industry standards recognized by the Treestand Manufacturers Association - "Standard Practice for Treestand Instructions" and - "Standard Test Method for Treestand Fall Arrest Systems"



WARNING! THIS PRODUCT CARRIES A STRICT WEIGHT LIMIT. DO NOT USE THIS PRODUCT IF YOU EXCEED THIS TOTAL WEIGHT LIMIT. PLEASE NOTE THIS WEIGHT LIMIT INCLUDES THE USER AND EQUIPMENT. FAILURE TO FOLLOW THESE INSTRUCTIONS MAY RESULT IN SERIOUS INJURY OR DEATH!

Model Number BDF-076 (The TOMCAT)

Maximum Weight Capacity - 300 pounds (136kgs) (User and Equipment)



WARNING! You must read, understand, and follow ALL safety warnings and instructions prior to each use. Additionally, you must test and practice with product at ground-level prior to using it at heights above ground-level. Failure to follow these instructions will result in serious injury or death!



WARNING! Prior to each hunt, make certain you have a signaling device (e.g., mobile phone, cell phone, radio, whistle, signal flare, Personal Locator Device [PLD], etc.) in your possession and on your person in an operable condition. This device must be within easy access shall you experience the need to contact emergency assistance. Failure to follow these instructions may result in serious injury or death!

THANK YOU FOR YOUR PURCHASE OF THIS QUALITY BIG DOG TREESTANDS PRODUCT! TO ENSURE YOUR PERSONAL SAFETY, PLEASE TAKE A MOMENT TO CAREFULLY READ THIS PRODUCT INSTRUCTION MANUAL IN ITS ENTIRETY BEFORE ATTEMPTING TO SET-UP, INSTALL AND/OR OTHERWISE USE THIS BIG DOG TREESTANDS PRODUCT. FAILURE TO DO SO COULD RESULT IN SERIOUS PERSONAL INJURY OR DEATH! THIS BIG DOG TREESTANDS PRODUCT HAS BEEN DESIGNED, ENGINEERED AND MANUFACTURED TO PROVIDE YOU WITH YEARS OF TROUBLE FREE SERVICE.

Shall you have any questions about the installation and/or use of this product, or any other Big Dog Treestands product(s) do not hesitate to call one of our customer service representatives toll-free at 309-263-6800 or visit us online at bigdogtreestands.com. Our service representatives will answer any questions you may have about any of the complete line of Big Dog Treestands products.

PLEASE READ THIS MANUAL IN ITS ENTIRETY PRIOR TO USING THIS PRODUCT!

PLEASE READ THIS MANUAL IN ITS ENTIRETY PRIOR TO USING THIS PRODUCT!

PLEASE READ THIS MANUAL IN ITS ENTIRETY PRIOR TO USING THIS PRODUCT!

PLEASE READ THIS MANUAL IN ITS ENTIRETY PRIOR TO USING THIS PRODUCT!



ATTENTION!!

WHEN YOU SEE A "WARNING!" BE SURE TO HEED THE MESSAGE! THE INFORMATION CONTAINED IN THESE MESSAGES CAN SAVE YOUR LIFE!!



WARNING! FALLS FROM A TREESTAND CAN OCCUR ANYTIME AFTER LEAVING THE GROUND. THESE FALLS RESULT IN EITHER SERIOUS INJURY OR DEATH! FOR YOUR PERSONAL SAFETY, PLEASE TAKE A MOMENT TO CAREFULLY READ THIS PRODUCT INSTRUCTION MANUAL IN ITS ENTIRETY BEFORE ATTEMPTING TO ASSEMBLE, SET-UP, INSTALL AND/OR OTHERWISE USE THIS BIG DOG TREESTANDS PRODUCT. AT LEAST ANNUALLY, REVIEW THE CONTENTS OF THIS INSTRUCTION MANUAL AND WATCH THE SAFE TREESTAND HUNTING DVD. ADDITIONALLY, KEEP THESE INSTRUCTIONS FOR THE ENTIRE DURATION YOU OWN THIS PRODUCT(S). FAILURE TO FOLLOW THESE INSTRUCTIONS MAY RESULT IN SERIOUS INJURY OR DEATH!



WARNING! THE SAFE USE AND OPERATION OF THIS PRODUCT(S) IS THE SOLE RESPONSIBILITY OF THE USER. A SAFE TREESTAND HUNTING VIDEO HAS BEEN PROVIDED WITH THIS PRODUCT. YOU MUST WATCH THIS DVD IN ITS ENTIRETY. IT IS ALSO THE SOLE RESPONSIBILITY OF THE OWNER TO PROVIDE ANY PERSON(S) WHO BORROW OR PURCHASE THIS PRODUCT WITH THESE INSTRUCTIONS AND THE SAFE TREESTAND HUNTING VIDEO. FAILURE TO FOLLOW THESE INSTRUCTIONS MAY RESULT IN SERIOUS INJURY OR DEATH! ADDITIONALLY, FAILURE TO FOLLOW THESE INSTRUCTIONS MAY SUBJECT YOU TO PERSONAL LIABILITY PENALTIES AS DETERMINED BY THE U.S. JUDICIAL SYSTEM.



WARNING! Failure to read and strictly comply with the instructions contained in this Instruction Manual may result in serious injury or death! PLEASE NOTE THAT "WARNING!" statements have been placed throughout this Instruction Manual. These statements point-out important safety information and instructions, which, if not followed, could endanger the personal safety and/or property of the operator. It is imperative that the operator of this product, or any other Big Dog Treestands product(s) read and understand all the instructions and warnings contained in this Instruction Manual prior to attempting to use this product(s), or any other Big Dog Treestands product(s). Failure to comply with these instructions and/or warnings may result in serious injury or death! When you see a "WARNING!" statement- BE SURE TO HEED THE MESSAGE!



WARNING! Thoroughly inspect this or any other Big Dog Treestands product(s) prior to each use for signs of wear, rot, corrosion, cracks, deterioration and/or any other type of defect. DO NOT expose this product to extended exposure to direct sunlight, excessive heat or freezing temperatures. Do not use this or any other Big Dog Treestands product(s) if they show evidence of wear, rot, corrosion, cracks, deterioration and/or any other type of defect. Failure to follow these instructions may result in serious injury or death!



WARNING! Do not remove, modify and/or omit any portion or otherwise mechanically modify this Big Dog Treestands product(s) or its assemblies in any manner. Modification, additions, misuse and/or part substitution shall immediately void your factory warranty and may result in serious injury or death! If you suspect a part(s) is missing and/or defective, immediately contact Big Dog Treestands toll free at (866) 387-2002 for replacement of missing or defective parts. Never modify your stand in any way by making repairs, or altering, adding or attaching anything to it except if explicitly authorized in writing by Big Dog Treestands. ALWAYS USE GENUINE FACTORY AUTHORIZED BIG DOG TREESTANDS REPLACEMENT PARTS. USE OF ANY REPLACEMENT PARTS OTHER THAN GENUINE BIG DOG TREESTANDS PARTS VOIDS YOUR WARRANTY AND RELIEVES BIG DOG TREESTANDS OF ANY RESULTANT LIABILITIES AND MAY RESULT IN SERIOUS INJURY OR DEATH!



WARNING! This Big Dog Treestands product(s) is designed for adult use only. No one under the age of 16 shall attempt to use this or any other Big Dog Treestands product(s) without direct adult supervision. Replace all hardware/cables/nuts/bolts/clips on your tree stand every two (2) years or sooner if inspection finds it necessary. Use only Big Dog replacement straps and parts. Use of any other straps or parts, which are not genuine Big Dog Treestands straps and parts, will be viewed as a modification to the product. Any modification will void the warranties and relieve Big Dog Treestands Inc. from all liabilities. Failure to follow these instructions may result in serious injury or death!



WARNING! Prior to attempting to use this or any other Big Dog Treestands product(s), you must take a moment and become familiar with its assembly, setup and installation. You must practice installing, setting-up and using this product(s) at ground level prior to attempting to use it at heights above ground-level. Once you have become thoroughly knowledgeable and comfortable with this Big Dog Treestands product(s) set-up, installation and use at ground-level, you are now ready to use it at heights about ground-level. Failure to follow these instructions may result in serious injury and death!



WARNING! ALWAYS inspect/check ALL expiration dates/tags on all straps and the full-body fall arrest harness prior to each use. You must replace ALL straps (ratchet, cinch, button, stabilizing straps/ropes, etc.) and suspension seats EVERY year. Never use any strap(s) or full-body fall arrest harness that has expired or is showing any damage or wear. Replace all hardware/cables/nuts/bolts/clips on your tree stand every (2) years or sooner if inspection finds it necessary. Use only Big Dog replacement straps and parts. Any other straps or parts will be viewed as a modification to the product. Any modification will void the warranties and relieve Big Dog Treestands Inc. from all liabilities. Failure to follow these instructions may result in serious injury and death!



WARNING! When hunting from a treestand, falls can occur any time after leaving the ground causing injury or death. Always wear your Big Dog Treestands full-body fall arrest system comprising a full-body fall arrest harness at all times after leaving the ground. You must stay connected at all times after leaving the ground. Single safety belts and chest harnesses are no longer allowed and shall never be used as they put the user at serious risk of injury or death. If you are not wearing your full-body fall arrest harness properly attached to the tree that is protecting you from a fall, do not leave the ground. Failure to follow these instructions may result in serious injury or death!



WARNING! Never rely on a tree branch for support while climbing. Failure to follow these instructions may result in serious injury or death!



WARNING! You must always inform someone of your hunting location, where the treestand will be located and the expected duration of the hunt. Failure to follow these instructions may result in serious injury or death!



WARNING! Inspect all safety devices each time before each use. DO NOT use these devices if it (they) shows signs of wear, damage, deterioration, or vandalism. Factors such as tree growth, vandals, weather and animals may affect the performance of an unattended tree stand. Do not store these devices outdoors when not in use. Failure to follow these instructions may result in serious injury or death!

PLEASE READ THIS MANUAL IN ITS ENTIRETY PRIOR TO USING THIS PRODUCT!

PLEASE READ THIS MANUAL IN ITS ENTIRETY PRIOR TO USING THIS PRODUCT!

PLEASE READ THIS MANUAL IN ITS ENTIRETY PRIOR TO USING THIS PRODUCT!



ATTENTION!!

WHEN YOU SEE A "WARNING!" BE SURE TO HEED THE MESSAGE! THE INFORMATION CONTAINED IN THESE MESSAGES CAN SAVE YOUR LIFE!!



PLEASE READ THIS MANUAL IN ITS ENTIRETY PRIOR TO USING THIS PRODUCT!

PLEASE READ THIS MANUAL IN ITS ENTIRETY PRIOR TO USING THIS PRODUCT!



WARNING! Practice the use your full-body fall arrest harness at ground level in the presence of a responsible adult to experience the feeling of hanging suspended before using it in a hunting environment. Failure to follow these instructions may result in serious injury or death!



WARNING! The length of the full-body fall arrest lanyard must be minimized at all times. It shall be adjusted so it is above the head with no slack (snug) in the sitting position and you shall have the minimum amount of slack possible when climbing. Failure to follow these instructions may result in serious injury or death!



WARNING! Failure to follow harness instructions could result in not being able to return to the stand and being suspended in a harness after a fall. If your hunting location is unknown by anyone and communication efforts are unsuccessful, you must have a personal plan for self-recovery/escape shall you experience a fall. Prolonged suspension in a harness can be fatal. It is important to exercise the legs by pushing against the tree or doing other forms of continuous leg exercises to avoid blood pooling while being suspended. Varying degrees of physical fitness may require different plans for self-recovery/escape to minimize the effects of prolonged suspension. Have a personal plan and practice it in the presence of a responsible adult before leaving the ground. No one escape/rescue plan will work for every hunter, on every tree, in every circumstance. Only you can determine the best self-recovery/escape plan for your hunting situation and you must have a self-recovery/escape plan for your individual situation before leaving the ground. There is time to make a correct decision on what action to take if a fall occurs while wearing a full-body fall arrest harness. It is important to remember, "DO NOT PANIC." You must only hunt from the ground when self-recovery/escape ability is absent. Failure to follow these instructions may result in serious injury or death!



WARNING! A suspension relief device must be on your person and readily accessible while using a harness. These devices allow the user to relieve the load on the lower extremities if suspended in a harness and help maintain circulation in the legs, mitigate suspension trauma (blood pooling) or allow descent to the ground. Be sure to follow the manufacturers' directions on the safe use of any suspension relief device. Several optional products/systems are available that offer self-recovery or self extraction from a fall when suspended in a harness. Some systems automatically descend the user while others allow user control. One of these products/systems can be considered for use as an additional safety precaution against prolonged suspension and suspension trauma. Be sure to follow the manufacturers' directions on the safe use of these products/systems. Failure to follow these instructions may result in serious injury or death!



WARNING! If you have a limiting physical and/or health condition that precludes and/or renders you incapable of self-recovery and/or a suitable escape plan is not available, DO NOT hunt from heights above ground level. Failure to follow these instructions may result in serious injury or death!



WARNING! NEVER allow the harness lanyard to get under your chin or around your neck. This poses a choking hazard that can lead to serious injury or death. Failure to follow these instructions may result in serious injury or death!



WARNING! Never attempt to climb up or climb down with a weapon and/or gear in your possession. ALWAYS unload your weapon and pull it up to hunting height using a tether or pull up rope. ALWAYS lower your unloaded weapon down to the ground prior (when raising or lowering firearms, the chamber must be open and the barrel pointing toward the ground) to attempting to climb down. Use this same method when raising or lowering all other gear. Failure to follow these instructions may result in serious injury or death!



WARNING! DO NOT attempt to use this and/or any other Big Dog Treestands product(s) when ice, snow and/or freezing rain has deposited or formed on any portion of the tree you intend to climb. Failure to follow these instructions may result in serious injury or death!



WARNING! ALWAYS maintain three-point contact when climbing up/down a tree when using climbing aids (e.g., ladders, climbing sticks, stacking steps, etc.). Proper three-point contact means having either two (2) feet with one (1) hand or one (1) foot with two (2) hands on the step portion of the climbing aids at all times when climbing up or down. Failure to follow these instructions may result in serious injury or death!



WARNING! NEVER adjust ANY straps, cables, and/or adjustable support bars while standing on or leaning against any treestand. DO NOT use any treestand if there is any damage, wear, or excessive corrosion on any part of the treestand or the full-body fall arrest harness. Failure to follow these instructions may result in serious injury or death!



WARNING! DO NOT modify, fix/repair, alter, bend, cut, weld, or heat this product in any way. Failure to follow these instructions will void warranty and may result in serious injury or death!



WARNING! DO NOT lean out from a treestand for any reason. Never use your full-body fall arrest harness to help you lean out of your treestand to make a difficult shot. Failure to follow these instructions may result in serious injury or death!



WARNING! DO NOT use this or any other Big Dog Treestands product(s) if you have a history of heart problems, back problems, impaired vision, joints that lock-up, spinal fusions, equilibrium problems, high blood pressure, are not well-rested and/or any other physical impairment that may limit your ability to use and/or operate this product(s) in the safe manner outlined in this Instruction Manual. Additionally, do not use this or any other Big Dog Treestands product(s) if you are currently taking any medication (including prescription) and/or using and/or consuming any substance, including alcohol, that may limit your ability to use this Big Dog Treestands product(s) as outlined and described in the Instruction Manual. Never use a treestand when feeling ill, nauseous or dizzy. Do not use ANY Big Dog Treestands product(s) without consent from your medical doctor for safe and proper use of the treestand and fall arrest system. Failure to follow these instructions may result in serious injury or death!



WARNING! DO NOT attempt to use this or any other Big Dog Treestands product(s) when thunderstorms are threatening and/or present within five (5) miles. Do not attempt to use this or any other Big Dog Treestands product(s) when any other adverse weather condition presents itself. These include weather conditions which have the potential for producing winds, lighting, rain, snow, sleet and/or any other atmospheric condition which may limit the user's ability to operate this Big Dog Treestands product(s) in a safe manner as described in this Instruction Manual. Shall inclement weather conditions arise during your use of this Big Dog Treestands product(s), return to the ground immediately. Failure to follow these instructions may result in serious injury and death!



WARNING! DO NOT use this product, or attempt to use a treestand, on a dead, leaning, diseased, loose barked tree (bark that flakes or falls off), irregular shaped trees, or utility poles. DO NOT use this product on any tree that does not allow for a level standing platform. Failure to follow these instructions may result in serious injury or death!



WARNING! Never jump or bounce on a treestand to seat it to the tree. Failure to follow these instructions may result in serious injury or death!

PLEASE READ THIS MANUAL IN ITS ENTIRETY PRIOR TO USING THIS PRODUCT!

SPECIAL CONSIDERATIONS FOR NON-CLIMBING (HANG-ON OR LOCK-ON) TREESTAND USAGE



WARNING! You must use the linemen's belt when installing hang-on or lock-on treestands to stabilize yourself. Refer to the Big Dog Treestands Instruction Manual for specific instruction. Failure to follow these instructions may result in serious injury or death!



WARNING! Correct tightening and adjustments of cables, straps, etc. are critical to stable hang-on or lock-on treestand installation. All treestand contact points must be in contact with the tree before you step onto your stand. Failure to follow these instructions may result in serious injury or death!



WARNING! Practice the attachment of hang-on or lock-on treestands at ground level before using in a hunting environment. Failure to follow these instructions may result in serious injury or death!



WARNING! Never leave a treestand in a tree for more than two (2) weeks (14 days) as weather and/or animals could cause damage. Tree growth can also stress and damage straps, chains and buckles. Failure to follow these instructions may result in serious injury or death!



WARNING! Climbing aids (e.g., ladders, climbing sticks, stacking steps, etc.) must extend above the treestand standing platform (at least 24-inches [61cm]) to allow the user to step *down onto the platform*. Never step up to your stand from a climbing aid. Failure to follow these instructions may result in serious injury or death!



WARNING! Use a hoist rope to raise and lower the treestand. Never climb with anything on your back. Failure to follow these instructions may result in serious injury or death!



WARNING! ALWAYS have a second adult present or at least accessible by cell phone or other means when installing/removing or using a tree stand. The ability to get help quickly may save your life in the event of a fall. A good nonslip safety boot is important for your safety. Be especially careful that bootlaces do not get hooked on the tree stand or climbing aids (tuck shoelaces into boot before climbing). Failure to follow these instructions may result in serious injury or death!



WARNING! BEFORE each use, make sure all nuts and bolts are secure. CHECK all hardware and webbing prior to every use to make sure no damage has occurred to hardware and the webbing is not cut or frayed. Keep webbing from coming into contact with any sharp edges. DO NOT USE THIS PRODUCT IF ANY DAMAGE IS SUSPECTED. Failure to follow these instructions may result in serious injury or death!



WARNING! REPLACE any damaged or worn part(s) with original parts. Replace attachment straps every two years (2) years (sooner if they show signs of wear or damage). When not in use store in a dry, cool, safe place away from sunlight. Failure to follow these instructions may result in serious injury or death!

BIG DOG TREESTANDS FULL-BODY FALL ARREST HARNESS

We are very serious about your personal safety. A Big Dog Treestands full-body fall arrest harness has been included with this product for your use. The Big Dog Treestands full-body fall arrest harness has been designed to keep you from experiencing a fall. Remember, the most important part of your hunt is returning home to your family safe and sound.

READ THE BIG DOG TREESTANDS FULL-BODY FALL ARREST HARNESS MANUAL CAREFULLY AND FOLLOW ALL THE INSTRUCTIONS! YOUR NEW FULL-BODY FALL ARREST HARNESS IS DESIGNED FOR A MAXIMUM CAPACITY OF 300 POUNDS (136kgs). ADDITIONALLY, YOUR NEW FULL-BODY FALL ARREST HARNESS MUST BE REPLACED AFTER TWO(2) YEARS OF SERVICE! REPLACE YOUR HARNESS IMMEDIATELY SHALL YOU EXPERIENCE A FALL WHILE WEARING IT.

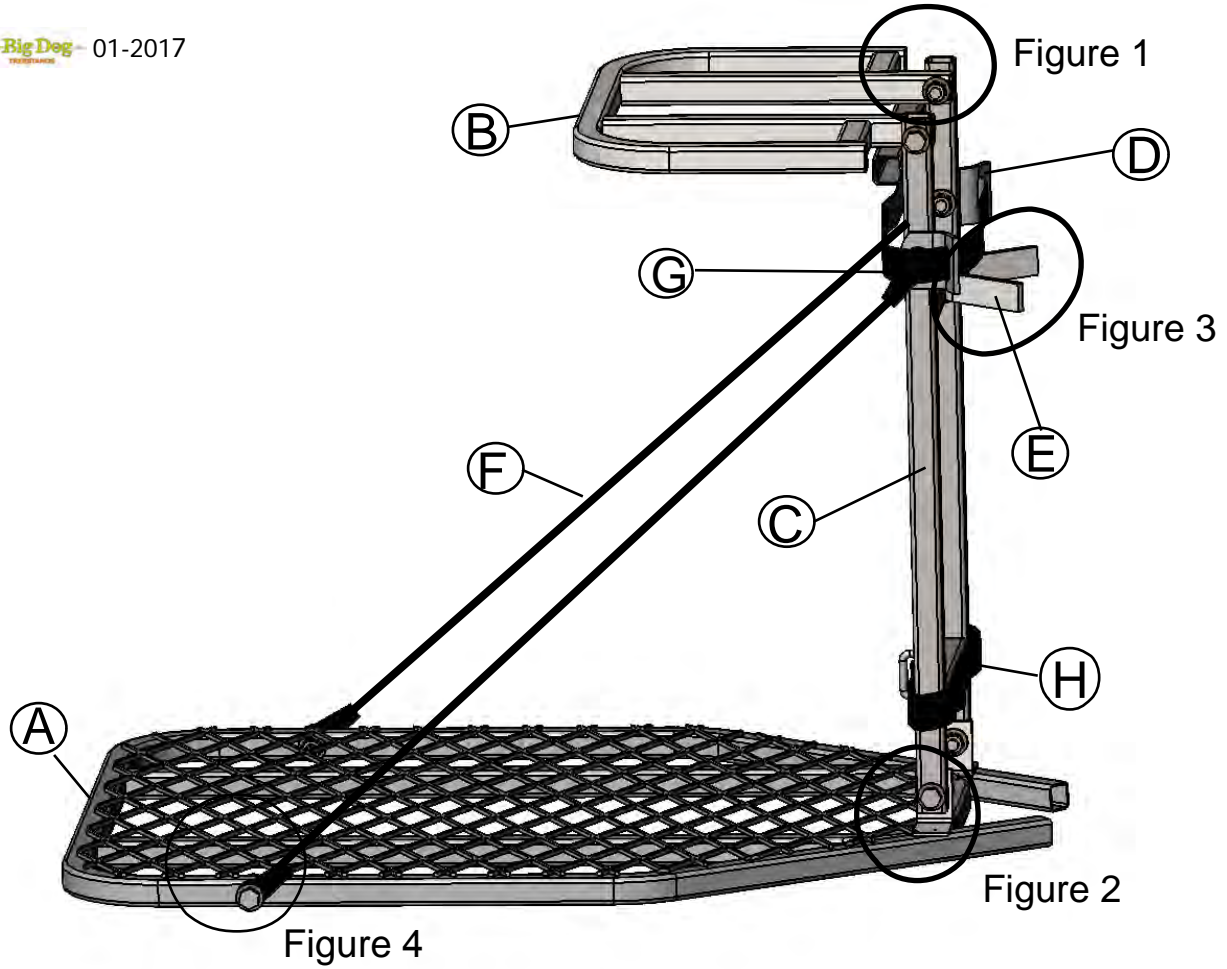


WARNING! Use only the Big Dog Treestands full-body fall arrest harness that meets TMA standards and is provided with this product. NOTE: You must store your full-body fall arrest harness out of direct sunlight and out of any other harsh environmental condition(s) that may adversely affect its performance. Failure to follow these instructions may result in serious injury or death!

PLEASE READ THIS MANUAL IN ITS ENTIRETY PRIOR TO USING THIS PRODUCT!

PLEASE READ THIS MANUAL IN ITS ENTIRETY PRIOR TO USING THIS PRODUCT!

PLEASE READ THIS MANUAL IN ITS ENTIRETY PRIOR TO USING THIS PRODUCT!



	Part Number	Description	Qty.
A	FP-076	Foot Platform	1
B	SP-076	Seat Platform	1
C	HF-400	H-Frame	1
D	Hook Tab	Hook Tab	2
E	TB-100	Tree Connection Brace	1
F	PSC-076	Platform Support Cables	2
G	CBH-200	Upper Cinch Belt Strap	1
H	BSS-227	Base Stabilizing Strap	1

Figure 1

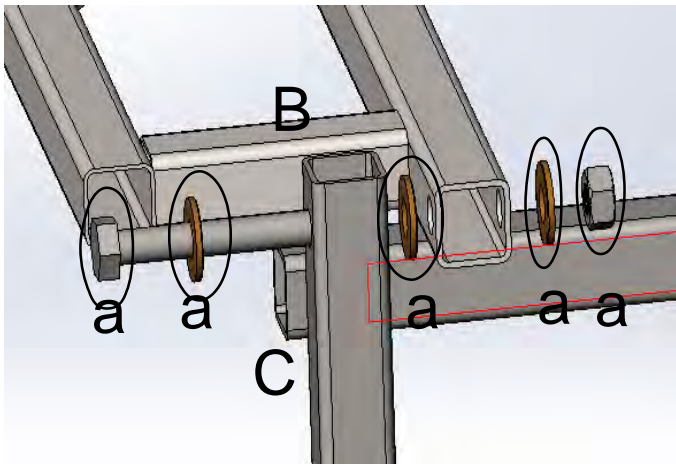


Figure 2

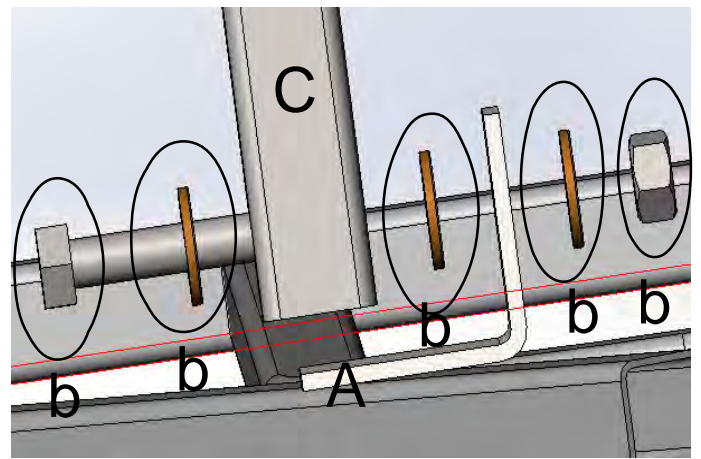


Figure 3

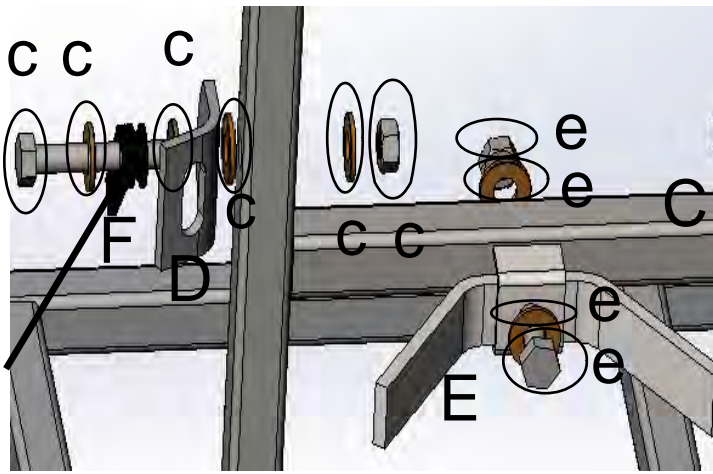
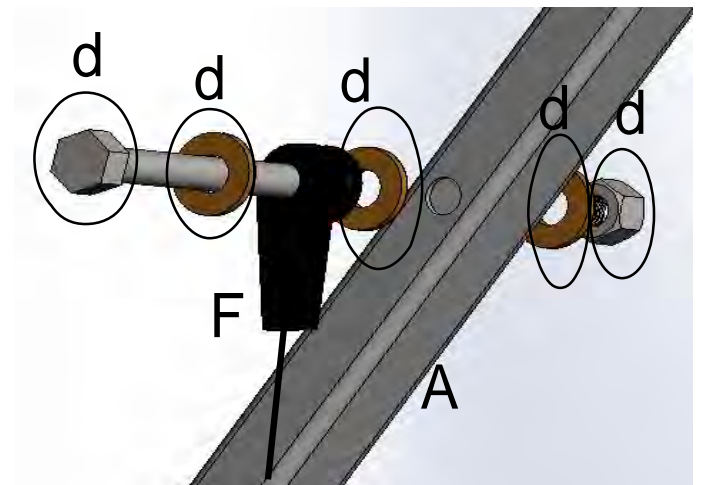


Figure 4



	Description	Assembly	Qty.
a	8mm × 2-3/8" Bolts nuts and 3 washers	Attach the seat platform (B) to the H-frame (C)	2
b	8mm × 1-5/8" Bolts nuts and 3 washers	Install H-frame (C) to the Foot Platform (A)	2
c	8mm × 2-1/8" Bolts nuts and 4 washers	Secure the hook tab (D) and cable (F) and H-frame (C). Opposite side secure Cinch Belt Strap (G) and Cable (F) to H-Frame (C)	2
d	8mm × 1-3/4" Bolts nuts and 3 washers	Install the two platform support cable to the platform	2
e	8mm × 1-3/4" Bolts nuts and 2 washers	Install the Tree Connection Brace (E) to the H-frame (C)	1
	FSC-076	Seat Cushion	1

INSTALLING YOUR BIG DOG TOMCAT TREESTAND



WARNING! You must follow these installation instructions very carefully. Failure to follow these instructions may result in serious injury or death!



WARNING! Prior to attempting to use this, or any other Big Dog Treestands product(s), you must take a moment and become familiar with it's setup and installation at ground-level. You must practice installing, setting-up and using this product(s) at ground-level prior to attempting to use it at heights above ground-level. Once you have become thoroughly knowledgeable and comfortable with this Big Dog Treestands product(s) setup, installation and use at ground-level - you're now ready to use it at heights above ground-level. Failure to follow these instructions may result in serious injury or death!



WARNING! Inspect the strap thoroughly prior to each use. Insure the pre-sewn tab end and Hook Tab are properly attached and secured. When hook is inserted into the Hook Tab, the hook end must be pointed AWAY FROM THE TREE as shown in Figure 7 for properly attaching and securing Upper Cinch Belt Hook Strap.



WARNING! STOP NOW!!!! Make sure that you are wearing your Big Dog Treestands full-body fall arrest harness. Failure to follow these instructions may result in serious injury or death!

STEP 1: Select a straight healthy tree, one without dead branches with a minimum diameter of 12-inches (30cm).

STEP 2: Install your TMA compliant climbing aid (e.g., ladders, climbing sticks, stacking steps, etc.) as outlined in the Manufacturers Instruction Manual.



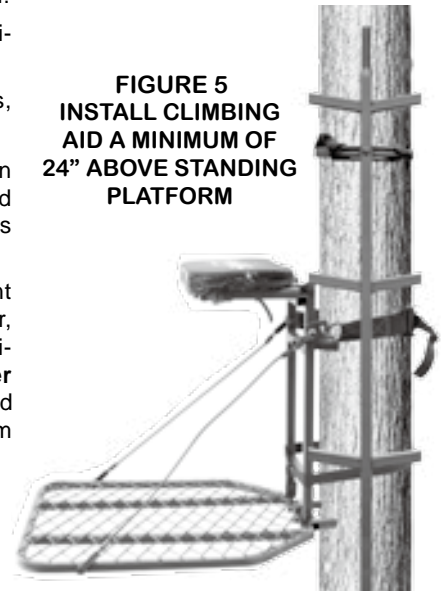
WARNING! Never attempt to climb a tree with your treestand in hand or on your back. ALWAYS use a hoist rope to pull your treestand up to the desired installation height. Failure to follow these instructions may result in serious injury or death!

NOTE: One very important note regarding the installation of your TMA compliant climbing aid (e.g., ladders, climbing sticks, stacking steps, etc.). Remember, always install the aid so that the rungs of the ladder or the steps extend a minimum of 2 feet (24" inches [61cm]) above your standing platform height (refer to Figure 5). This practice insures that you're stepping off the climbing aid and down onto the standing platform. This practice also insures that you have a firm and secure hand-hold while stepping onto your treestand.



WARNING! YOU MUST install your climbing aids (e.g., ladders, climbing sticks, stacking steps, etc.) so they extend a minimum of 24-inches (61cm) above the standing platform. Failure to follow these instructions may result in serious injury or death!

**FIGURE 5
INSTALL CLIMBING
AID A MINIMUM OF
24" ABOVE STANDING
PLATFORM**



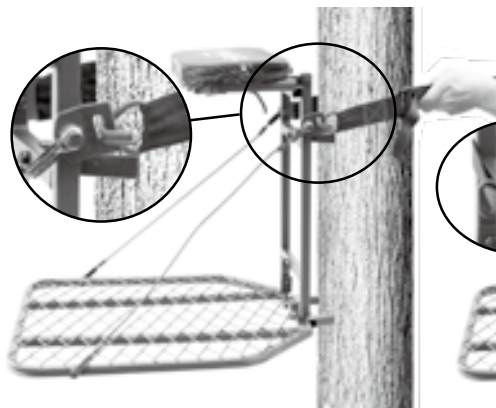
STEP 3: With your TMA compliant climbing aid installed in strict accordance with the manufacturers Instruction Manual, you're now ready to attach your hoist rope to your treestand.

STEP 4: Attach your hoist rope onto your treestand. Using your Big Dog Treestands full-body fall arrest lineman's belt, climb to your desired stand mounting height. With your full-body fall arrest still attached to the tree trunk (DO NOT ATTACH YOUR FULL-BODY FALL ARREST HARNESS TO YOUR CLIMBING AID), you're now ready to hoist your treestand up using your previously attached hoist rope.

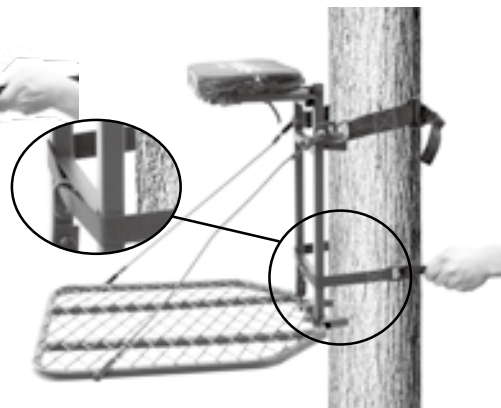
STEP 5: After hoisting your treestand up, place the tree connection brace (E) flush against the tree trunk as shown in Figure 6. It is advisable to use a hoist system or hook system to hold the treestand temporarily in position until the treestand is secured to the tree safely and properly. Tip: A simple screw-in bow hook works nicely (be sure to check with local game regulations for legality).



**FIGURE 6
TREESTAND FLUSH
AGAINST TREE TRUNK**



**FIGURE 7
TIGHTEN UPPER CINCH
BELT HOOK STRAP**



**FIGURE 8
TIGHTEN PLATFORM
STABILIZING STRAP**

PLEASE READ THIS MANUAL IN ITS ENTIRETY PRIOR TO USING THIS PRODUCT!

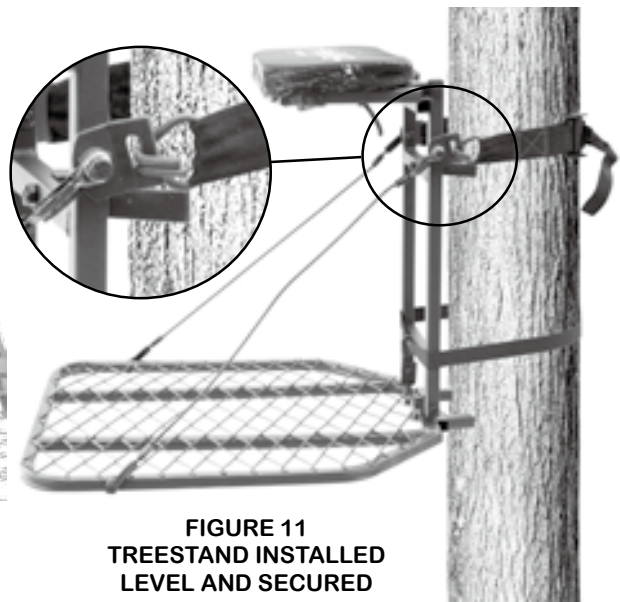
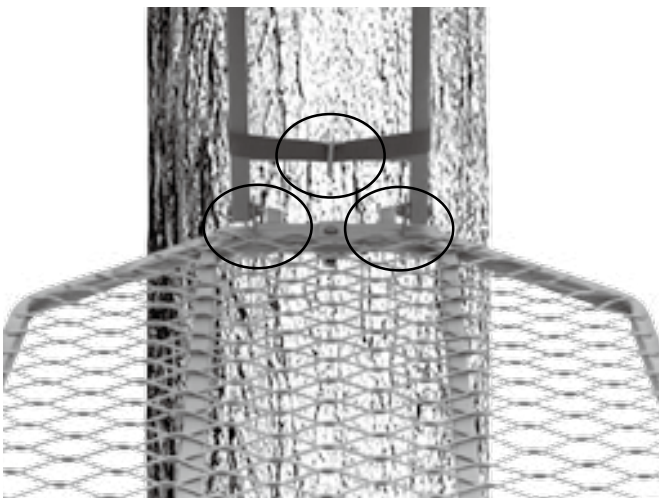
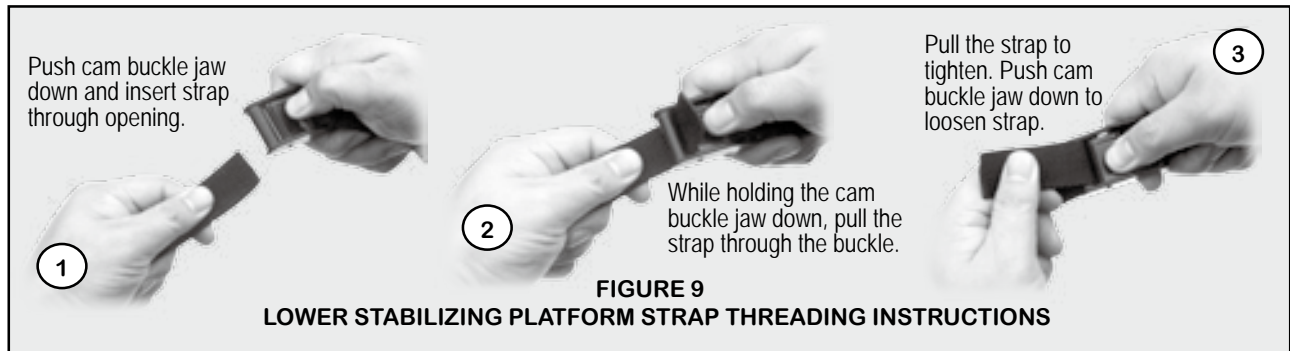
PLEASE READ THIS MANUAL IN ITS ENTIRETY PRIOR TO USING THIS PRODUCT!

PLEASE READ THIS MANUAL IN ITS ENTIRETY PRIOR TO USING THIS PRODUCT!

STEP 6: With the Upper Cinch Belt Hook Strap (G) previously installed and the treestand at the desired height, wrap the hook end of the strap around the tree and engage the hook into the Hook Tab (D). Refer to Figure 7 & 11 for properly engaging the hook into the Hook Tab (D). Pull the loose end of the belt strap until seated firmly against the tree. IMPORTANT: Tie off the remaining strap securely to prevent the strap from working loose as shown in Figure 11.

STEP 7: With the Upper Cinch Belt Hook Strap (G) installed as previously outlined, locate the platform stabilizing strap (H) (refer to Figure 1). Thread the strap through the D-ring welded on the H-frame and wrap around the tree trunk and thread it as shown in Figure 9. After threading in accordance with Figure 9, tighten the strap by pulling on the loose end as shown in Figure 8. Once the platform stabilizing strap (H) is tight, check to make sure the tree connection brace (E) is firmly seated against the tree trunk. Tie off the loose end of the platform stabilizing strap (I) to reduce the possibility of it working loose as shown in Figure 11. In addition, check to make sure the standing platform is firmly seated against the tree trunk as shown in Figure 10. Make certain the treestand is installed level without any lean. If the treestand is installed in a not level fashion, you must remove it and find another installation location that affords a perfectly level installation.

WARNING! You MUST install your Big Dog Treestand level. Any installation other than level, will result in a dangerous condition for the user. If you find your treestand is canted, not level or in any condition other than level, you must remove it and find an alternative installation site that affords level installation. Failure to follow these instructions will result in serious injury or death!



STEP 8: With your treestand installed in the strict manner outlined herein (refer to Figure 11), and while still attached to the tree with your full-body fall arrest harness linemen's belt, attach the tether of the full-body fall arrest harness to the tree trunk at a location as high up as you can install it (i.e., eye-level or higher preferably). Both the lineman's belt and tether of the full body fall arrest harness shall be attached. Disconnect lineman's belt and climb above standing platform on the climbing aid and step down onto the center of the standing platform with one leg. If there is any looseness, step off the treestand and back onto the climbing aid. Disconnect the treestand and repeat the previous installation steps until a solid installation is achieved.

WARNING! DO NOT use this, or any other Big Dog Treestands product(s) to climb utility poles, telephone poles, structural columns or any other man-made structures. Never use this, or any other Big Dog Treestands product(s) around power generation (e.g., transformers, generators, substations, etc.) and/or power transmission equipment. Failure to follow these instructions will result in serious injury or death!

WARNING! When climbing, always maintain three points of contact as you ascend (climb up) and while descending (climb down). Failure to maintain three points of contact puts the user at serious risk of bodily injury. Failure to follow these instructions will result in serious injury or death!

PLEASE READ THIS MANUAL IN ITS ENTIRETY PRIOR TO USING THIS PRODUCT!

PLEASE READ THIS MANUAL IN ITS ENTIRETY PRIOR TO USING THIS PRODUCT!

PLEASE READ THIS MANUAL IN ITS ENTIRETY PRIOR TO USING THIS PRODUCT!

REMOVING YOUR TOMCAT TREESTAND



WARNING! STOP NOW!!!! Make sure that you are wearing your Big Dog Treestands full-body fall arrest harness! Failure to follow these instructions may result in serious injury or death!



WARNING! Prior to attempting to use this or any other Big Dog Treestands product(s) you must take a moment and become familiar with it's setup and installation at ground level. You must practice installing, setting-up and using this product(s) at ground-level prior to attempting to use it at heights above ground-level. Once you have become thoroughly knowledgeable and comfortable with this Big Dog Treestands product(s) setup, installation and use at ground-level, you're now ready to use it at heights above ground-level. Failure to follow these instructions may result in serious injury or death!

STEP 1: Using your Big Dog Treestands full-body fall arrest lineman's belt, climb to your treestand. With your full-body fall arrest harness linemen's belt still attached to the tree trunk (**DO NOT ATTACH YOUR FULL-BODY FALL ARREST HARNESS TO YOUR CLIMBING STICKS**) connect your hoist rope to your treestand. You may choose to install a screw-in bow hook to support your treestand while you remove it. **NOTE:** Connect your hoist rope to the tree in a manner that does not interfere with your lineman's belt or compromise your ability to safely stand on your climbing aid.

STEP 2: With your Big Dog Treestands full-body fall arrest lineman's belt connected as previously outlined, disconnect the platform stabilizing strap (H) and allow it to hang freely. Next, while holding the treestand, disconnect the cinch belt (G) and remove the hook end from the Hook Tab and allow the belt to hang down freely. Understand that when disconnecting the upper cinch belt hook strap (G), you will be disconnecting the treestand from the tree. With the treestand disconnected from the tree trunk, gently lower it to the ground using the previously installed hoist rope. Your treestand has now been removed.

STORAGE AND CARE

It is recommended that you store your treestand out of direct sunlight and out of any other harsh environmental condition(s) that may adversely affect its performance. It is required to replace all straps annually or sooner if evidence of wear or fading is present. Cables and hardware shall be replaced every two years or sooner if evidence of wear is present. Oil all hardware prior to each use or storage to prevent corrosion. Visit www.bigdogtreestands.com for ordering of any replacement component.

